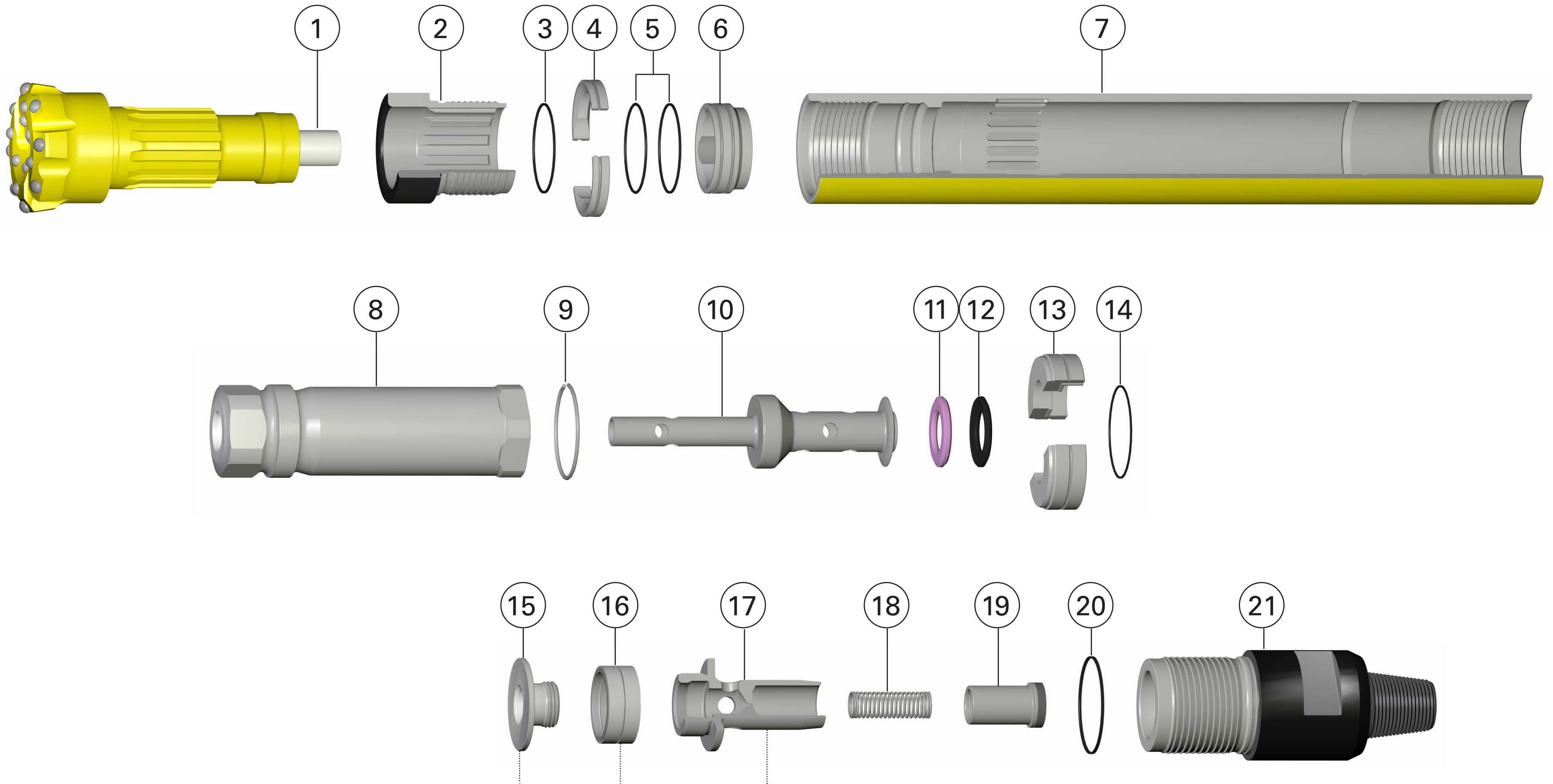


# Secoroc COP 64 Gold

## Down-the-hole hammer



Ref.	Part	Prod. No.	Product code
1	Foot valve for bit	90514253	9283
2	Chuck for Standard version	89000961	9706-00-30-001
2	Chuck for QM version	89000969	9706-00-36-001
3	O-ring* for Bit retaining ring		
4	Bit retaining ring assembly incl. O-ring	89000968	9706-00-30-002
5	O-ring* for Bushing		
6	Bushing	89000971	9706-00-30-022
7	Casing for Standard version	89000963	9706-00-30-004
7	Casing for QM version	89000964	9706-00-36-004
8	Piston	89000972	9706-00-30-005
9	Lock ring	89000073	9706-00-00-006
10	Control tube	89000855	9706-07-06-007
11	Lower buffer	89000867	9706-00-00-011
12	Upper buffer	89000050	9706-00-00-009
13	Cover assembly incl. O-ring	89000083	9706-00-00-021
14	O-ring* for Cover		
15	Spring stop incl. in item 16		
16	Friction spring set assembly	89000857	9706-00-00-010
17	Valve body incl. in item 16		
18	Spring check valve	89000829	9706-00-00-016
19	Check valve assembly incl. seal	89000840	9706-06-00-017

Ref.	Part	Prod. No.	Product code
20	O-ring* for Backhead		
21	Backhead assembly for Standard version, 3 1/2" API Reg Pin	89000447	9706-05-04-020
21	Backhead assembly for QM version, 3 1/2" API Reg Pin	89000514	9706-05-06-020

\*O-rings not sold separately. Included in different kits below.

Hammers and Kits	Prod. No.	Product code
COP 64 Gold complete, 3 1/2" API Reg Pin	89000959	9706-05-34
COP 64 Gold complete QM, 3 1/2" API Reg Pin	89000960	9706-05-36
O-ring kit incl. 3xRef. 3, 2x5, 1x14, 1x20	89001187	3161-2660-90
Economy kit, 3 1/2" API Reg Pin	89001110	9706-05-34-040
Economy kit QM, 3 1/2" API Reg Pin	89001098	9706-05-36-040

Wear limits		
Casing	Min. OD	130 mm
Bit bushing	Max. ID	92.4 mm
Piston / Casing clearance	Max.	0.2 mm
Piston / Control tube	Max.	0.2 mm
Foot valve	Min. OD	45.7 mm
Foot valve protrusion		59 + / - 1 mm