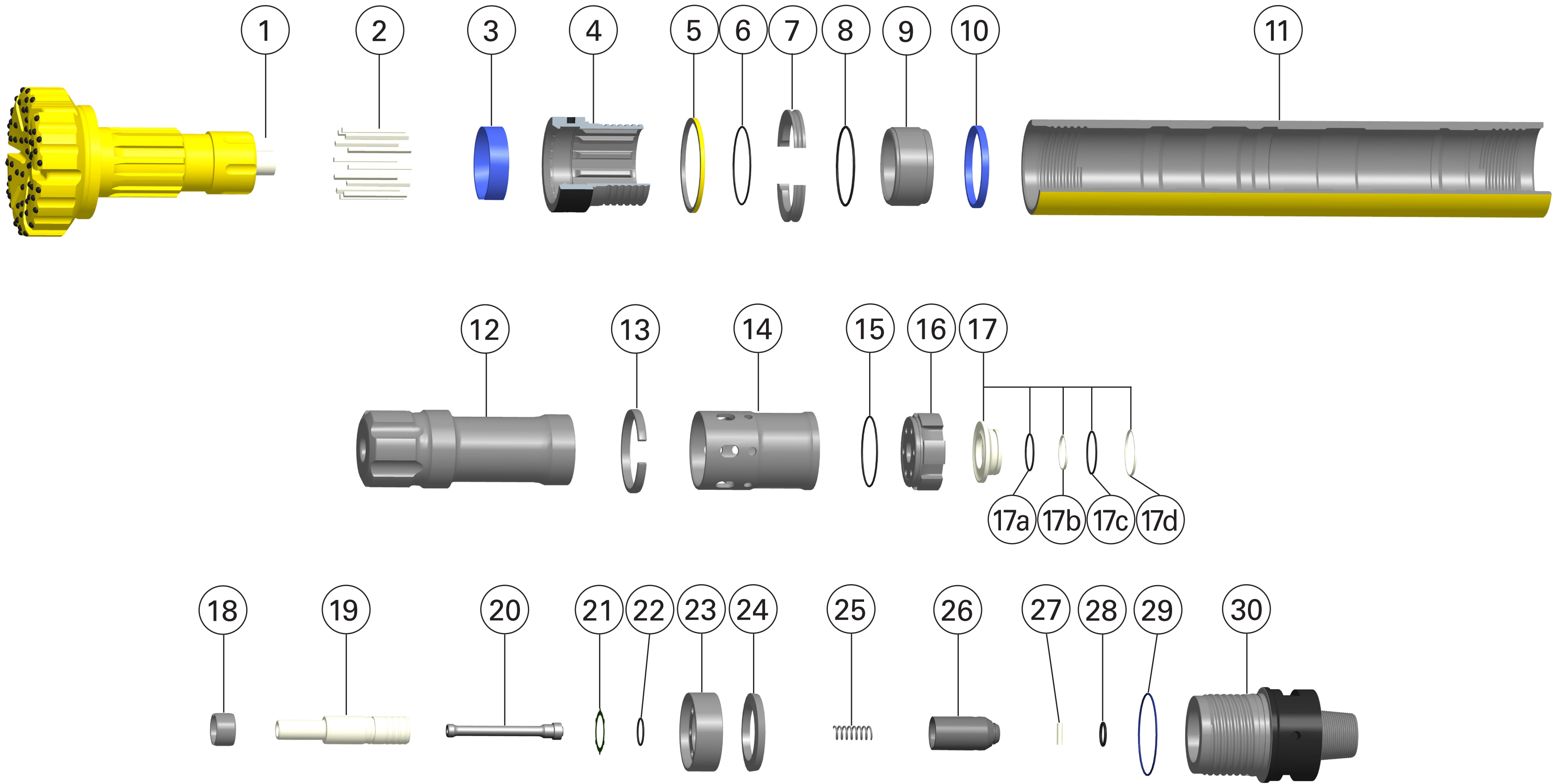


# Secoroc QL 120

Down-the-hole hammer



Ref.	Part	Prod. No.	Product code
1	Exhaust tube	52342094	9326-52342094
2	Drive pins 12pc's required (sold as each)	52107604	9712-QL-00-000-65-00D-061
3	Chuck bearing	52105699	9712-QL-00-000-65-000-060
4	Chuck QL120	52105632	9712-QL-00-000-65-00D-001
4	Chuck QL120 Slim	52131992	9712-QL-00-000-65-S0D-001
4	Chuck QL120 for solid breakout washer	52346699	9712-QL-00-000-65-0WE-001
4	Chuck QL120 for Delrin breakout washer	52352218	9712-QL-00-000-65-00E-001
4	Chuck QL120 Retrieval R4	52354643	9712-QL-DH-000-65-00R-001
5	Breakout washer solid (used in both ends)	52346665	9712-QL-00-000-00-0WW-053
5	Breakout washer Delrin (chuck side only)	52352200	9712-QL-00-000-00-00W-053
6	O-ring* (Bit retaining ring)	95379350	9712-QL-00-000-00-000-035
7	Bit retaining ring	52105640	9712-QL-00-000-65-000-002
8	O-ring* (Bit bearing)	52107422	9712-QL-00-000-00-000-023
9	Bit bearing	52287562	9712-QL-00-000-65-000-022
10	Lock ring (Bit bearing)	52105657	9712-QL-00-000-00-000-058
11	Casing QL120	52105616	9712-QL-00-000-00-000-004
11	Casing QL120 Slim	52131984	9712-QL-00-000-00-S00-004
12	Piston	52105509	9712-QL-00-000-65-000-005
13	Lock ring (Cylinder)	52105681	9712-QL-00-000-00-000-048
14	Cylinder	52105541	9712-QL-00-000-00-000-062
15	O-ring* (Air distributor)	95379350	9712-QL-00-000-00-000-035
16	Air distributor	52105525	9712-QL-00-000-00-000-042
17	Valve assembly	52116209	9712-QL-00-000-00-000-A45
17a	O-ring (Valve)	N/A	N/A
17b	Seal-ring (Valve)	N/A	N/A
17c	O-ring (Valve)	N/A	N/A
17d	Seal-ring (Valve)	N/A	N/A
18	Sleeve	52105608	9712-QL-00-000-00-000-091
19	Distributor guide	52105558	9712-QL-00-000-00-000-046
19	Distributor guide QL 120 HC	89010385	9712-QL-00-000-00-0H0-046
20	Guide liner	52105556	9712-QL-00-000-00-000-052
21	Valve shim .025"	52127594	9712-QL-00-000-00-000-072
22	O-ring* (Valve cap)	95087086	9712-QL-00-000-00-000-034

Ref.	Part	Prod. No.	Product code
23	Valve cap	52105533	9712-QL-00-000-00-000-074
24	Belleville spring	52105590	9712-QL-00-000-00-000-013
25	Spring (Check valve)	51989259	9712-QL-00-000-00-000-016
26	Check valve assembly with O-ring	52116217	9712-QL-00-000-00-000-A17
26	Check valve assembly with O-ring QL 120 HC	89010386	9712-QL-00-000-00-0H0-A17
27	Choke plug solid**	51991305	9720-QL-00-000-00-000-180
27	Choke plug 3/8" **	51991313	9720-QL-00-000-00-000-181
27	Choke plug 1/2" **	51991321	9720-QL-00-000-00-000-182
28	O-ring* (Check valve)	52097896	9712-QL-00-000-00-000-018
29	O-ring* (Backhead)	95402913	9712-QL-00-000-00-000-019
30	Backhead QL 120 STD 6 5/8" API Reg Pin	52105624	9712-QL-00-18P-00-000-020
30	Backhead QL 120 Slim 6 5/8" API Reg Pin	52138393	9712-QL-00-18P-00-S00-020
30	Backhead QL 120 BO 6 5/8" API Reg Pin	52346681	9712-QL-00-18P-00-0W0-020
30	Backhead QL 120 HC 6 5/8" API Reg Pin	52105715	9712-QL-00-18P-00-0H0-020
	Separator (HC only)	52105731	9712-QL-00-000-00-0H0-081
	Preload O-ring (HC only)	95087250	9712-QL-00-000-00-0H0-069
	Separator O-ring (HC only)	95086781	9712-QL-00-000-00-0H0-078
	Check seal (HC only)	52107257	9712-QL-00-000-00-0H0-073

\*O-rings not sold separately. Included in different kits, see table.

\*\*Item 27: Choke plug 1/4" and choke plug 1/8" may be used to bypass more air to reduce pressure and/or increase bailing velocity.

Hammers and Kits	Prod. No.	Product code
QL 120 STD, 6 5/8" API Reg Pin	52107448	9712-QL-00-18P-65-000
QL 120 Slim, 6 5/8" API Reg Pin	52138385	9712-QL-00-18P-65-S00
QL 120 BO Solid both ends, 6 5/8" API Reg Pin	52350725	9712-QL-00-18P-65-0WW
QL 120 BO Delrin chuck only, 6 5/8" API Reg Pin	52352226	9712-QL-00-18P-65-00W
QL 120 HC, 6 5/8" API Reg Pin	52107455	9712-QL-00-18P-65-0H0
QL 120 Retrieval R4, 6 5/8" API Reg Pin	52107620	9712-QL-DH-18P-65-00R
QL 120 Retrieval R4 HC, 6 5/8" API Reg Pin	52133501	9712-QL-DH-18P-65-0HR
E-kit QL 120	N/A	N/A
Sustainability kit incl. item 6, 8, 15, 17, 22, 28, 29	52354648	9712-QL-00-000-00-000-070



1705 Old Covington Rd NE  
Conyers GA 30013  
770-483-0788  
www.rockdrillsales.com

