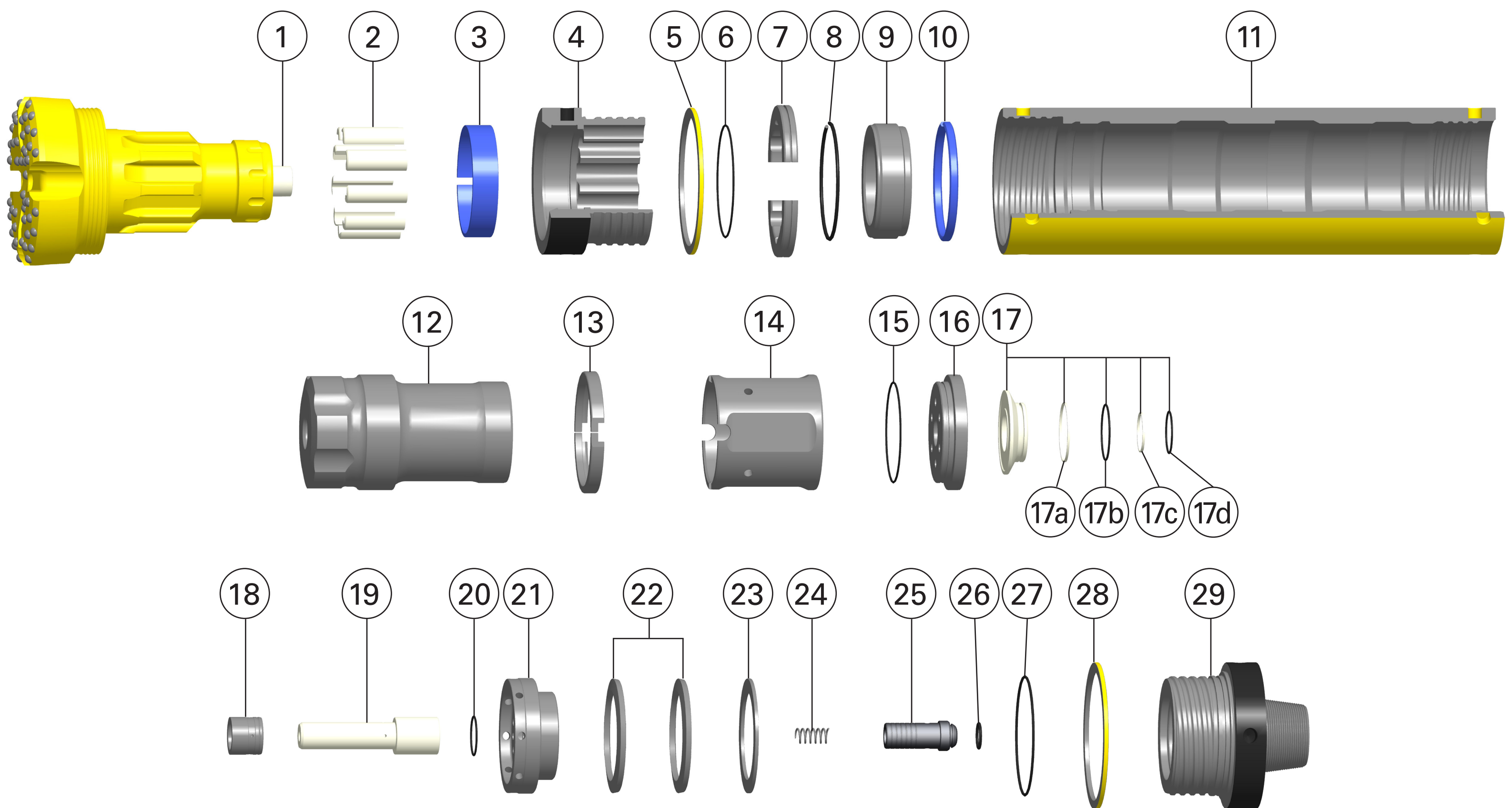


SECOROC QL 200, QL 200S DOWN-THE-HOLE HAMMER

Atlas Copco Secoroc AB
 Box 521, SE-737 25 Fagersta, Sweden
 Phone +46 223 461 00
 E-mail: secoroc@se.atlascopco.com
 www.atlascopco.com

Atlas Copco



Ref.	Part	Prod. No.	Product code
1	Exhaust tube	51989432	9324-51989432
2	Drive pins, 9pc's required for QL 200, 12pc's for QL 200 S, Sold as each	51989424	9720-QL-00-000-67-00D-061
3	Chuck bearing	51989416	9720-QL-00-000-67-000-060
3	Chuck bearing QL 200 S	52124880	9720-QL-00-000-68-00S-060
4	Chuck QL 200	51989390	9720-QL-00-000-67-00D-001
4	Chuck QL 200 S	89010026	9720-QL-00-000-68-00S-001
5	Breakout washer solid (used in both ends)	52342250	9720-QL-00-000-00-0WW-053
5	Breakout washer laminated (chuck side only)	52342227	9720-QL-00-000-00-0WW-055
5	Thrust/Breakout washer (chuck side QL 200 S only)	89010027	9720-QL-00-000-00-0WW-057
6	O-ring (Bit retaining ring)	95451233	9720-QL-00-000-00-000-035
7	Bit retaining ring	51989382	9720-QL-00-000-67-000-002
8	O-ring (Bit bearing)	51989481	9720-QL-00-000-00-000-023
9	Bit bearing	52133543	9720-QL-00-000-67-000-022
10	Lock ring (Bit bearing)	52342177	9720-QL-00-000-00-000-064
11	Casing	52286507	9720-QL-00-000-00-000-004
12	Piston	52286515	9720-QL-00-000-67-000-005
13	Lock ring (Cylinder)	51989333	9720-QL-00-000-00-000-062
14	Cylinder	51989457	9720-QL-00-000-00-000-048
15	O-ring (Air distributor)	95451233	9720-QL-00-000-00-000-034
16	Air distributor	52097045	9720-QL-00-000-00-000-042
	Air distributor and Guide assembly (item 16,18,19)	52098761	9720-QL-00-000-00-000-A42
17	Valve assembly	52098753	9720-QL-00-000-00-000-A45
17a	O-ring (Valve)	N/A	N/A
17b	Seal-ring (Valve)	N/A	N/A

Ref.	Part	Prod. No.	Product code
17c	O-ring (Valve)	N/A	N/A
17d	Seal-ring (Valve)	N/A	N/A
18	Sleeve	52097037	9720-QL-00-000-00-000-091
19	Distributor guide	52097029	9720-QL-00-000-00-000-046
20	O-ring (Valve cap)	95136818	9720-QL-00-000-00-000-029
21	Valve cap	52097052	9720-QL-00-000-00-000-074
22	Belleville spring, qty required 2 ea	51989283	9720-QL-00-000-00-000-013
23	Belleville spacer	52098860	9720-QL-00-000-00-000-072
24	Spring (Check valve)	51989259	9720-QL-00-000-00-000-016
25	Check valve assembly with O-ring	51989739	9720-QL-00-000-00-000-A17
	Choke plug solid*, not shown	51991305	9720-QL-00-000-00-000-180
	Choke plug 3/8" *, not shown	51991313	9720-QL-00-000-00-000-181
	Choke plug 1/2" *, not shown	51991321	9720-QL-00-000-00-000-182
26	O-ring (Check valve)	52097896	9720-QL-00-000-00-000-018
27	O-ring (Backhead)	95018347	9720-QL-00-000-00-000-019
28	Breakout washer solid (used in both ends)	52342250	9720-QL-00-000-00-0WW-053
29	Backhead QL 200 / QL 200 S, 8 5/8" API Reg Pin	51989218	9720-QL-00-63P-00-000-020
	Solid shim, not shown	51989275	9720-QL-00-000-00-000-075

*Item 25: Choke plug 1/4" and choke plug 1/8" may be used to bypass more air to reduce pressure and/or increase bailing velocity.

Hammers and Kits	Prod. No.	Product code
QL 200, 8 5/8" API Reg Pin	52286523	9720-QL-00-63P-67-0WW
QL 200 S, 8 5/8" API Reg Pin	52286531	9720-QL-00-63P-68-0WS
E-kit QL 200 / QL 200 S	N/A	N/A
Chuck QL 200 S assembly (incl item 3, 4, 5)	89010028	9720-QL-00-000-68-00S-A01
Lifting bail	50780170	9720-QL-00-000-00-000-092