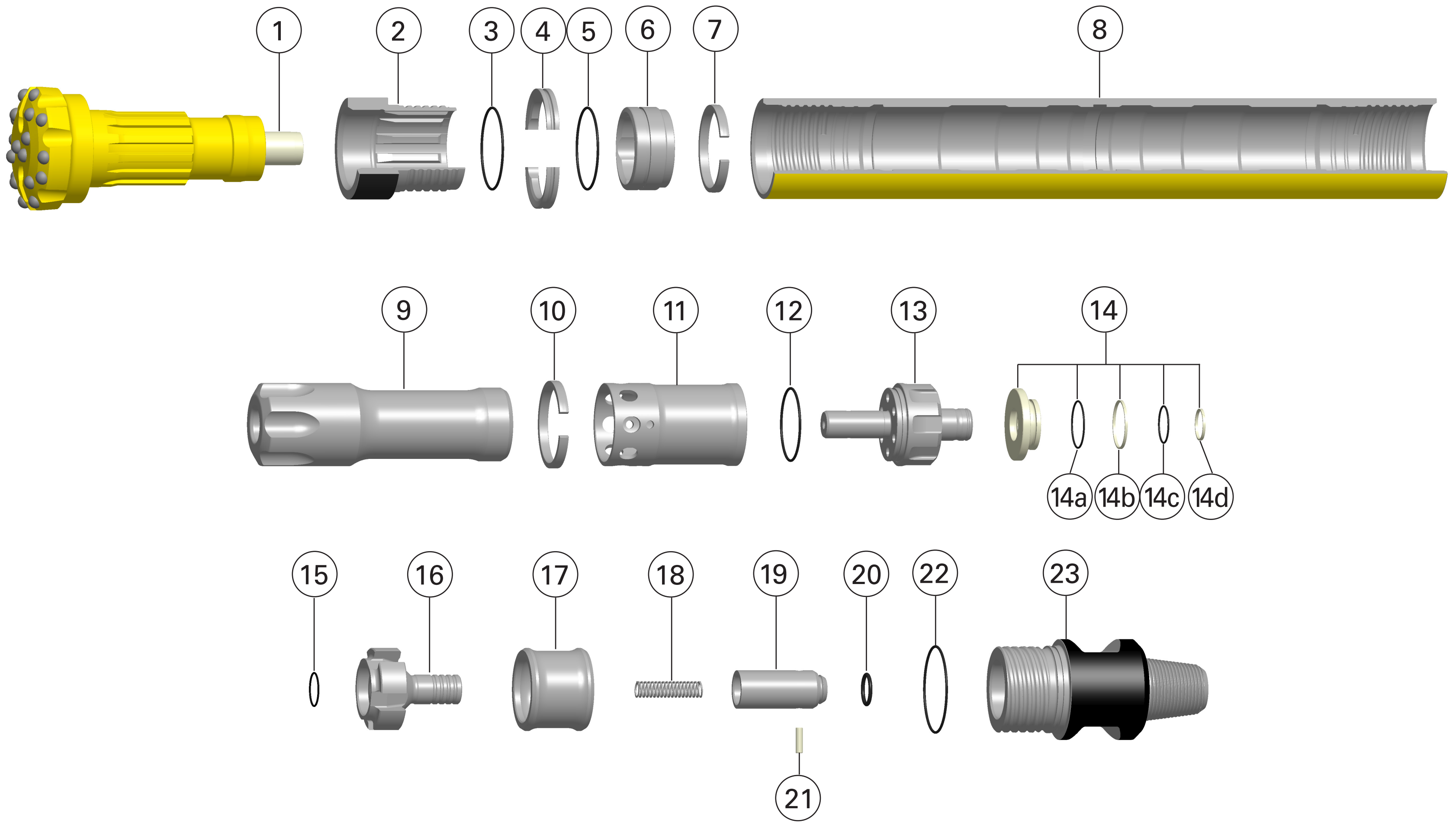


# Secoroc QL 50/55

## Down-the-hole hammer



Ref.	Part	Prod. No.	Product code
1	Exhaust tube	90515427	9257
2	Chuck QL 50	51991495	9705-QL-00-000-25-000-001
2	Chuck QL 55	51955748	9705-QL-00-000-25-H00-001
3	O-ring* (Bit retaining ring)	95086351	9705-QL-00-000-00-000-035
4	Bit Retaining rings	51987006	9705-QL-00-000-25-000-A02
5	O-ring* (Bit bearing)	95086351	9705-QL-00-000-00-000-035
6	Bit bearing	51996569	9705-QL-00-000-25-000-A22
7	Lock ring (Bit bearing)	51987014	9705-QL-00-000-00-000-058
8	Casing QL 50	51991479	9705-QL-00-000-00-000-004
8	Casing QL 50 HF	52284809	9705-QL-HF-000-00-000-004
8	Casing QL 55	51955805	9705-QL-00-000-00-H00-004
9	Piston	51996551	9705-QL-00-000-25-000-005
9	Piston QL 50 HF	52123502	9705-QL-HF-000-25-000-005
10	Lock ring (Cylinder)	-	-
11	Cylinder	51997088	9705-QL-00-000-00-000-048
12	O-ring* (Air distributor)	95137212	9705-QL-00-000-00-000-034
13	Air distributor	51793693	9705-QL-00-000-00-000-042
14	Valve assembly .050 Lift	52082989	9705-QL-00-000-00-000-A45
14	Valve assembly .065 Lift (not std)	52297678	9705-QL-00-000-00-H00-A45
14a	O-ring (Valve)	-	-
14b	Seal-ring (Valve)	-	-
14c	O-ring (Valve)	-	-
14d	Seal-ring (Valve)	-	-
15	O-ring* (Valve cap)	95136438	9705-QL-00-000-00-000-029
16	Valve cap	51793685	9705-QL-00-000-00-000-074
17	Solid spacer	51997245	9705-QL-00-000-00-000-072

Ref.	Part	Prod. No.	Product code
18	Spring (Check valve)	51857274	9705-QL-00-000-00-000-016
19	Check valve assembly	52115664	9705-QL-00-000-00-000-A17
20	O-ring* (Check valve)	95962742	9705-QL-00-000-00-000-018
21	Choke plug solid**	50899137	9706-QL-00-000-00-000-180
21	Choke plug 1/8" **	50899129	9706-QL-00-000-00-000-181
21	Choke plug 1/4" **	50899111	9706-QL-00-000-00-000-182
22	O-ring* (Backhead)	95028452	9705-QL-00-000-00-000-019
23	Backhead QL 50 3 1/2" API Reg Pin	51991487	9705-QL-00-14P-00-000-020
23	Backhead QL 50 HC 3 1/2" API Reg Pin	52100385	9705-QL-00-14P-00-0H0-020
23	Backhead QL 55 3 1/2" API Reg Pin	51955771	9705-QL-00-14P-00-HB0-020
	Separator (HC only)	52100377	9705-QL-00-000-00-0H0-076
	Preload O-ring (HC only)	95087060	9705-QL-00-000-00-0H0-069
	Separator O-ring (HC only)	95086252	9705-QL-00-000-00-0H0-078
	Check Seal (HC only)	52100393	9705-QL-00-000-00-0H0-073

\*O-rings not sold separately. Included in different kits, see table.

\*\*Item 21: Choke plug 1/4" and choke plug 1/8" may be used to bypass more air to reduce pressure and/or increase bailing velocity.

Hammers and Kits	Prod. No.	Product code
QL 50 STD COMP 3 1/2" API Reg Pin	51983120	9705-QL-00-14P-25-000
QL 50 HF COMP 3 1/2" API Reg Pin	52284882	9705-QL-HF-14P-25-000
QL 50 HC COMP 3 1/2" API Reg Pin	52100344	9705-QL-00-14P-25-0H0
QL 55 QM COMP 3 1/2" API Reg Pin	51997591	9705-QL-00-14P-25-HB0
E-kit QL 50 3 1/2" API Reg Pin incl. item 2, 3, 5, 8, 12, 15, 18, 20, 22, 23	52336823	9705-QL-00-14P-25-000-K40
E-kit QL 55 3 1/2" API Reg Pin incl. item 2, 3, 5, 8, 12, 15, 18, 20, 22, 23	52336831	9705-QL-00-14P-25-HB0-K40
Sustainability kit incl. item 3, 5, 12, 14, 15, 20, 22	52354541	9705-QL-00-000-00-000-K70