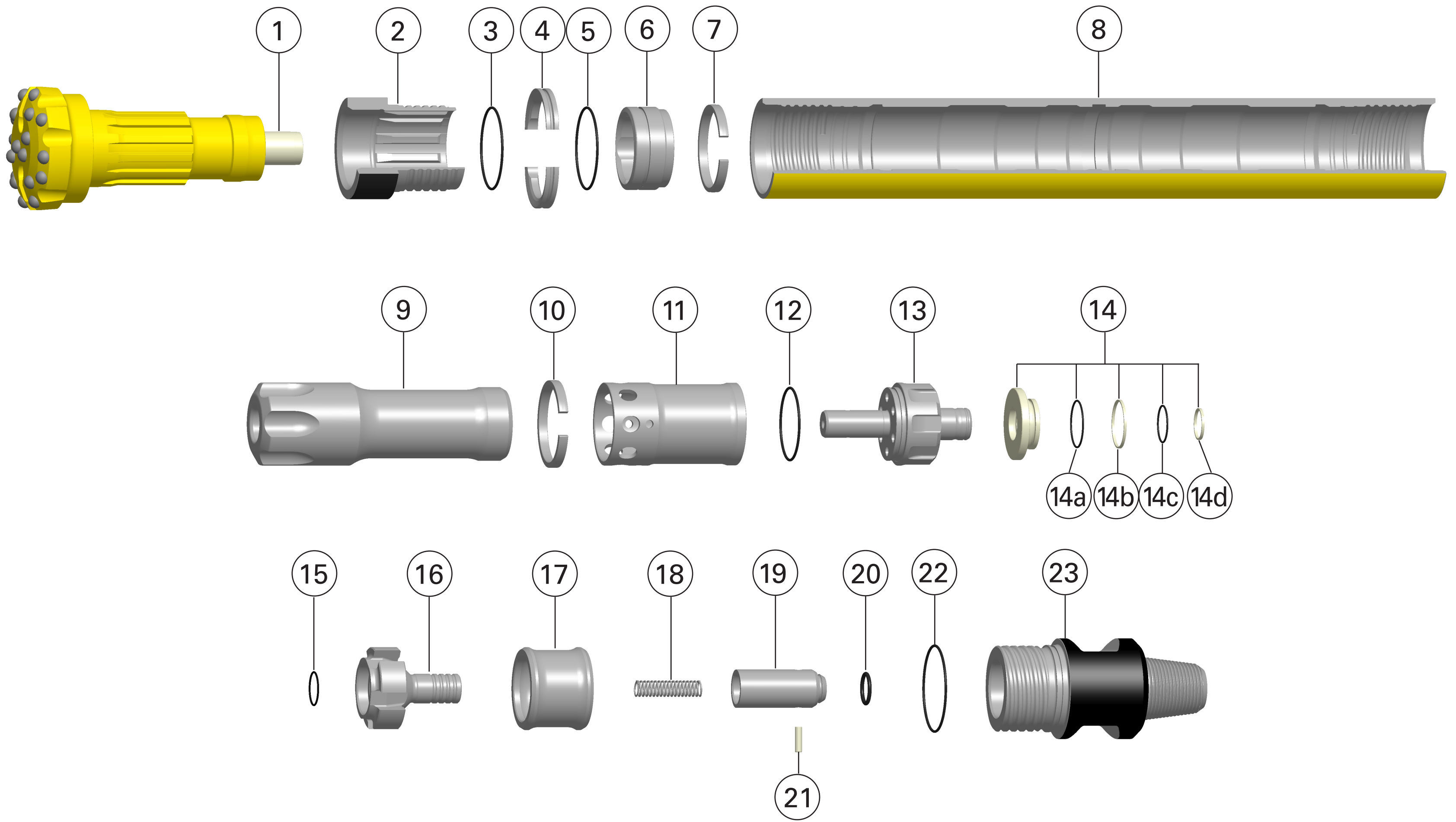


Secoroc QL 80/85

Down-the-hole hammer



Ref.	Part	Prod. No.	Product code
1	Exhaust tube	52341450	9114
2	Chuck QL 80	52313418	9708-QL-00-000-29-000-001
2	Chuck QL 85	89010091	9708-QL-00-000-29-H00-001
3	O-ring* (Bit retaining ring)	95045324	9708-QL-00-000-00-000-035
4	Bit retaining rings	52084688	9708-QL-00-000-29-000-A02
5	O-ring* (Bit bearing)	95045324	9708-QL-00-000-00-000-035
6	Bit bearing	51910362	9708-QL-00-000-29-000-A22
7	Lock ring (Bit bearing)	51987063	9708-QL-00-000-00-000-058
8	Casing QL 80	51910396	9708-QL-00-000-00-000-004
8	Casing QL 80 HF	52313392	9708-QL-HF-000-00-000-004
8	Casing QL 85	89010010	9708-QL-00-000-00-H00-004
9	Piston	51910354	9708-QL-00-000-29-000-005
9	Piston QL 80 HF	52138526	9708-QL-HF-000-29-000-005
10	Lock ring (Cylinder)	-	-
11	Cylinder	51986834	9708-QL-00-000-00-000-048
11	Cylinder QL 80 HF	52285251	9708-QL-HF-000-00-000-048
12	O-ring* (Air distributor)	95045324	9708-QL-00-000-00-000-034
13	Air distributor	51910271	9708-QL-00-000-00-000-042
13	Air distributor QL 85 (for 1400 cfm)	89010012	9708-QL-00-000-00-H00-042
14	Valve assembly .050 Lift	52084670	9708-QL-00-000-00-000-A45
14	Valve assembly .050 Lift QL 80 HF	52327665	9708-QL-HF-000-00-000-A45
14	Valve shim .020	52282092	9708-QL-00-000-00-000-075
14a	O-ring (Valve)	-	-
14b	Seal-ring (Valve)	-	-
14c	O-ring (Valve)	-	-
14d	Seal-ring (Valve)	-	-
15	O-ring* (Valve cap)	95495776	9708-QL-00-000-00-000-029
16	Valve cap	51910297	9708-QL-00-000-00-000-074
16	Valve cap QL 80 HF	52327640	9708-QL-HF-000-00-000-074
17	Solid spacer	52084928	9708-QL-00-000-00-000-072
18	Spring (Check valve)	51910446	9708-QL-00-000-00-000-016
19	Check valve assembly with O-ring	52115680	9708-QL-00-000-00-000-A17

Ref.	Part	Prod. No.	Product code
20	O-ring* (Check valve)	95136644	9708-QL-00-000-00-000-018
21	Choke plug solid**	50899137	9706-QL-00-000-00-000-180
21	Choke plug 1/8" **	50899129	9706-QL-00-000-00-000-181
21	Choke plug 1/4" **	50899111	9706-QL-00-000-00-000-182
22	O-ring* (Backhead)	95027249	9708-QL-00-000-00-000-019
23	Backhead QL 80 STD 4 1/2" API Reg Pin	52313400	9708-QL-00-17P-00-000-020
23	Backhead QL 80 STD 4 1/2" BECO Pin	52083870	9708-QL-00-B3P-00-000-020
23	Backhead QL 80 HC 4 1/2" API Reg Pin	51987071	9708-QL-00-17P-00-0H0-020
23	Backhead QL 85 QM 4 1/2" API Reg Pin	89010094	9708-QL-00-17P-00-HD0-020
23	Backhead QL 85 QM 4 1/2" BECO Pin	89010243	9708-QL-00-B3P-00-HD0-020
	Separator (HC only)	51987097	9708-QL-00-000-00-0H0-081
	Preload O-ring (HC only)	51987121	9708-QL-00-000-00-0H0-069
	Separator O-ring (HC only)	95086385	9708-QL-00-000-00-0H0-078
	Check seal (HC only)	51987105	9708-QL-00-000-00-0H0-073

*O-rings not sold separately. Included in different kits, see table.

**Item 21: Choke plug 1/4" and choke plug 1/8" may be used to bypass more air to reduce pressure and/or increase bailing velocity.

Hammers and Kits	Prod. No.	Product code
QL 80 STD COMP 4 1/2" API Reg Pin	52083623	9708-QL-00-17P-29-000
QL 80 STD COMP 4 1/2" BECO Pin	52083631	9708-QL-00-B3P-29-000
QL 80 HF COMP 4 1/2" API Reg Pin	52313426	9708-QL-HF-17P-29-000
QL 80 HC COMP 4 1/2" API Reg Pin	52083656	9708-QL-00-17P-29-0H0
QL 85 QM COMP 4 1/2" API Reg Pin	89010016	9708-QL-00-17P-29-HF0
QL 85 QM COMP 4 1/2" BECO Pin	89010244	9708-QL-00-B3P-29-HF0
E-kit QL 80 4 1/2" API Reg Pin incl. item 2, 3, 5, 8, 12, 15, 18, 20, 22, 23	89010181	9708-QL-00-17P-29-000-K40
E-kit QL 85 4 1/2" BECO Pin incl. item 2, 3, 5, 8, 12, 15, 18, 20, 22, 23	89010278	9708-QL-00-B3P-29-000-K40
Sustainability kit incl. item 3, 5, 12, 14, 15, 20, 22	52354544	9708-QL-00-000-00-000-K70
Sustainability kit QL 80 HF incl. item 3, 5, 12, 14, 15, 20, 22	52354647	9708-QL-HF-000-00-000-K70