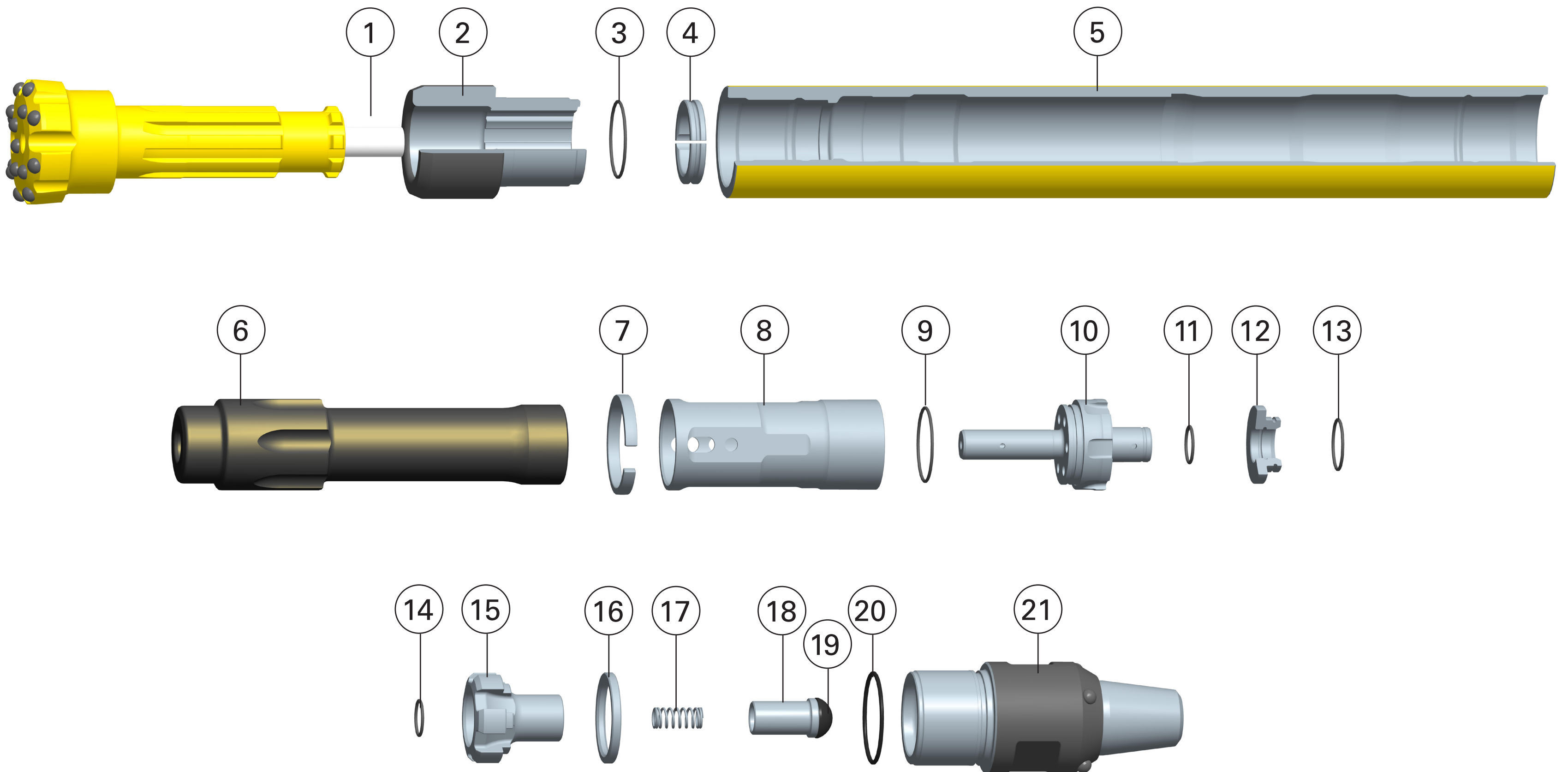


Secoroc QL 340

Down-the-hole hammer



Ref.	Part	Prod. No.	Product code
1	Foot valve	86002883	9227
2	Chuck	92050398	9704-03-54-00-001
3	O-ring (bit retain)	92050396	9704-03-54-00-003
4	Ring- bit retain	92050395	9704-03-54-00-002
5	Casing	92050397	9704-03-54-00-004
6	Piston	92050403	9704-03-54-00-005
7	Cylinder retain ring	92050400	9704-03-54-00-062
8	Cylinder	92050399	9704-03-54-00-048
9	O-ring (distributor)	92050402	9704-03-54-00-038
10	Distributor	92050401	9704-03-54-00-042
11	O-ring (inner valve)	92050409	9704-03-54-00-027
12	Valve	92050404	9704-03-54-00-044
13	O-ring (outer valve)	92050408	9704-03-54-00-036
14	O-ring (valve cap)	92050406	9704-03-54-00-037
15	Valve cap	92050405	9704-03-54-00-074
16	Shim	92050414	9704-03-54-00-026
17	Spring	92050411	9704-03-54-00-016
18	Check valve	92050407	9704-03-54-00-015
19	Check valve cap	92050238	970D-00-82-00-036
20	O-ring backhead	92050394	9704-00-54-00-019
21	Backhead	92050393	9704-03-54-00-020

Hammers and Kits	Prod. No.	Product code
QL 340 hammer, complete	92050412	9704-03-54-00
Valve assembly	92050442	9704-00-54-00-045
O-ring kit, 1x3, 1x9, 1x11, 1x12, 1x13, 1x14, 1x20	92050441	9704-00-54-00-047
E-kit	92050440	9704-03-54-00-040

Wear limits		
Casing	Min.OD	92mm
Piston/Casing clearance	Max	0.2mm
Piston/Control tube	Max	0.2mm
Foot valve	Min.OD	26.3mm
Foot valve protrusion		57+/- 1mm